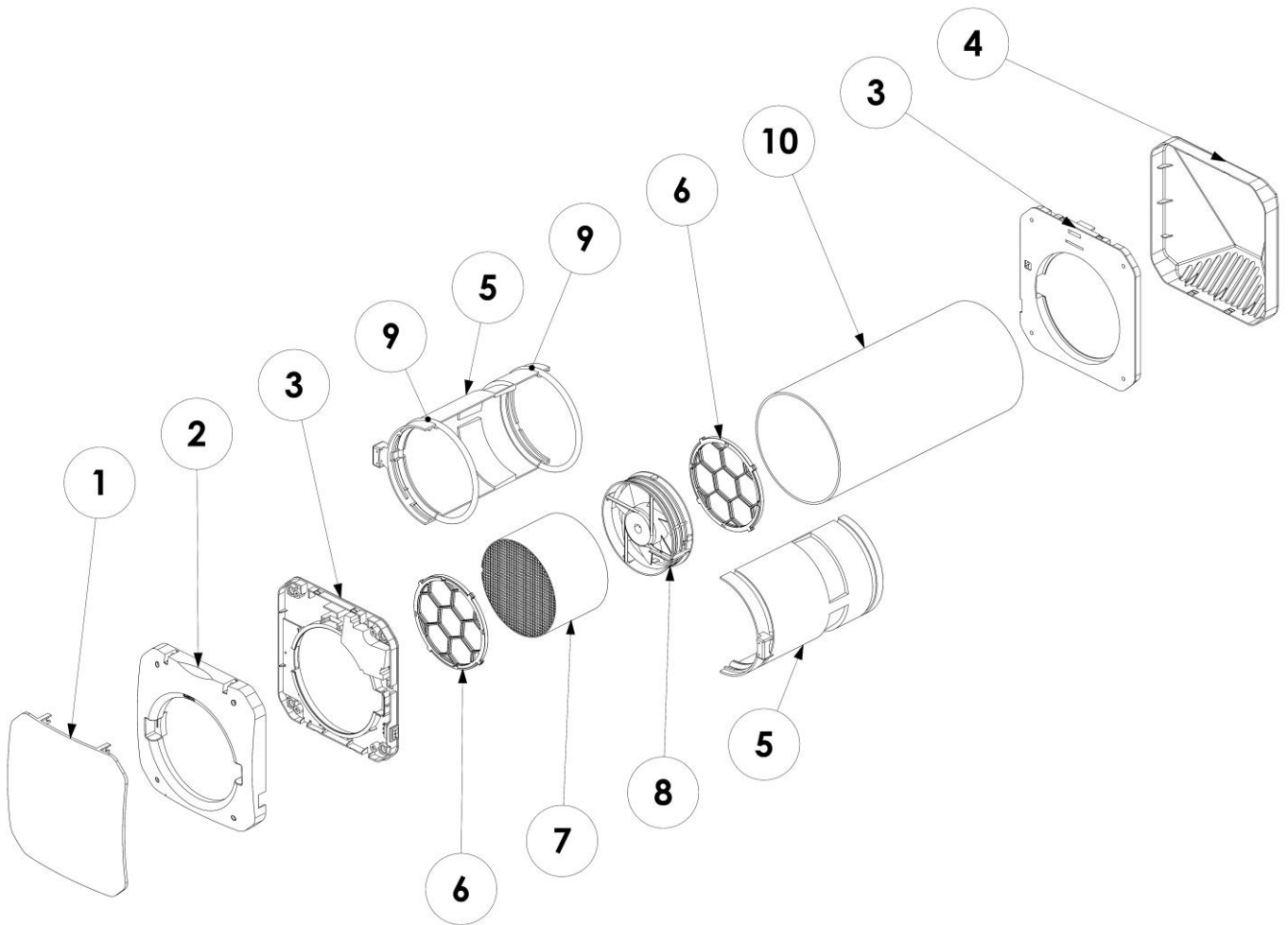


# User Manual



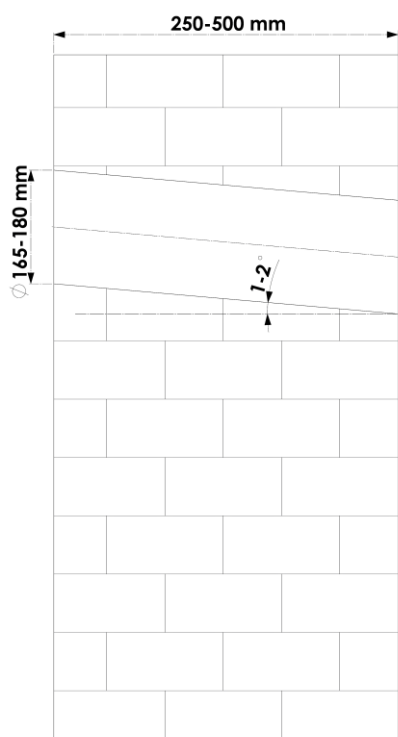
**BSK Zephyr**  
**Decentralized Heat Recovery Device**

# Part List



1. Front cover part
2. Inside cover part
3. Wall fixture part
4. Outer hood
5. Capsule part
6. G3 Filter
7. Ceramic heat exchanger
8. 2-way fan
9. O-ring gasket
10. PVC pipe

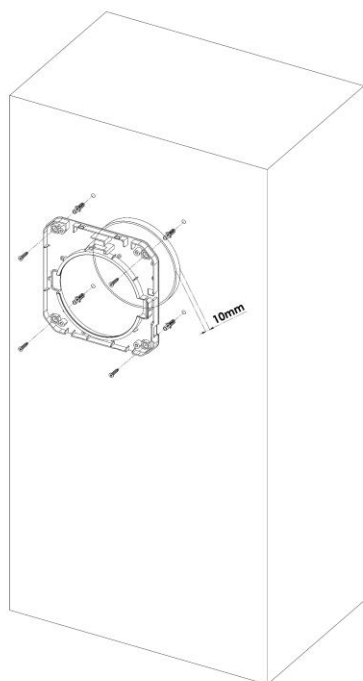
# Wall Montage



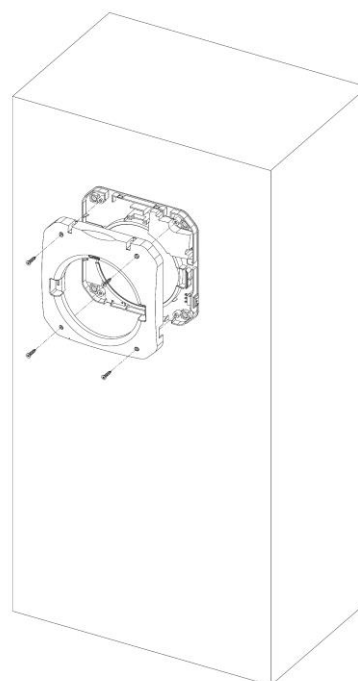
For the installation of BSK Zephyr room type heat recovery device, first of all, a hole must be drilled on a wall facing the exterior with the dimensions indicated in the figure.

In order for the water that may occur due to condensation to flow outwards, it must be pierced outward with a slope of 1-2 degrees.

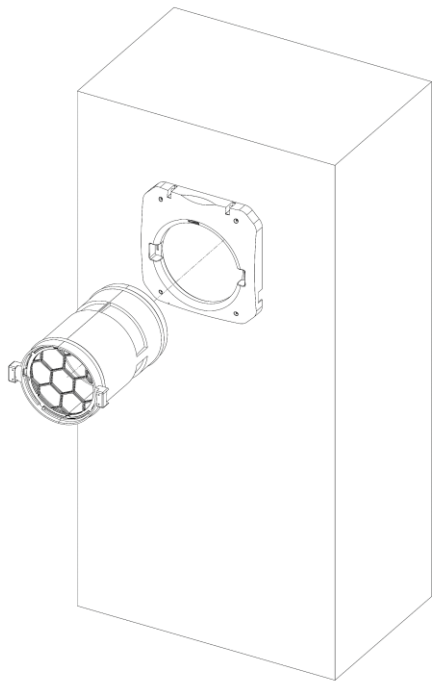
After the wall is drilled, the outer pipe piece is cut in such a way that it protrudes 10mm outside the wall and fixed to the wall by applying various insulation materials or polyurethane foam around it.



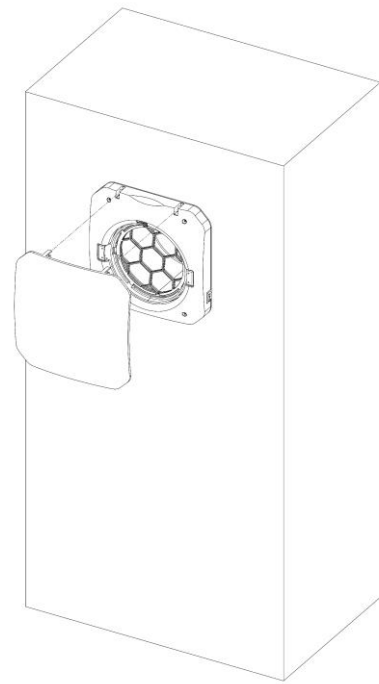
1. The inner wall connection piece is placed on the 10mm part of the PVC pipe piece outside the wall and fixed to the wall with the help of dowels.



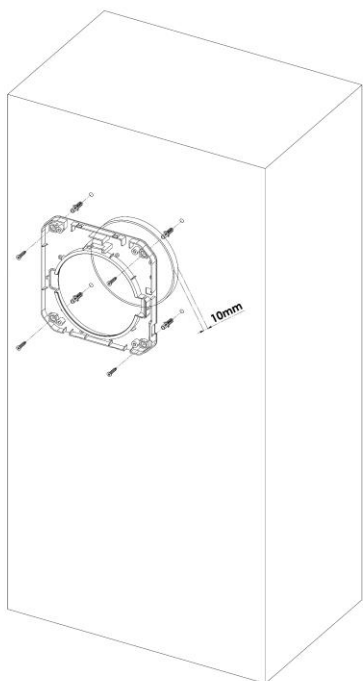
2. The inner cover piece is mounted on the wall connection piece and fixed to the piece by screwing at the indicated places.



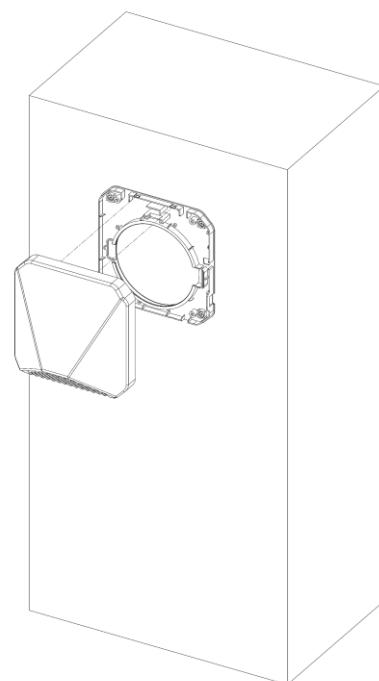
3. The capsule piece is aligned with the hole of the device and snapped into place with the ears facing to the side and the ear with the fan socket facing to the left.



4. The front cover piece is seated by aligning it on the inner cover piece from the hinges on it. Make sure that all 2 hinges are in place.

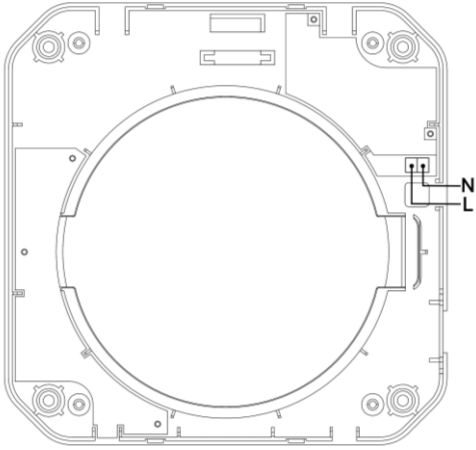


5. The outer wall connection piece is placed in such a way that it fits on the 10mm part of the PVC pipe piece outside the wall and is fixed to the wall with the help of dowels.



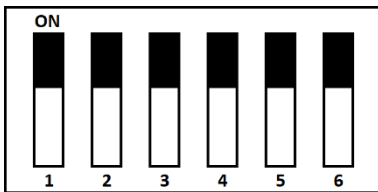
6. The outer grille piece is aligned and seated so that it fits over the outer wall connector. Make sure that the tabs on the parts fit well.

# Electrical Connection

	<p>For the electrical connection of the device, L and N lines of AC 220V/50Hz mains electricity are connected to the terminal shown in the figure on the inner wall mounting part.</p> <p>Electrical cable connections can be hidden by coming out of the wall and passing through the cable hole in the part, or by opening a hole on the side of the inner cover piece for the cable to pass through.</p>
---	---

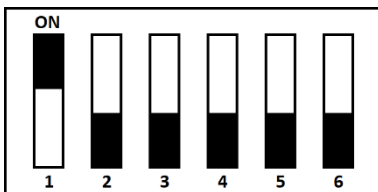
## Wireless Pairing of Multiple Devices

BSK Zephyr devices can work individually or as a group by connecting to each other wirelessly. By connecting devices in more than one room or in different rooms, you can also control other connected devices through a single master device. Up to 15 different address groups can be created.



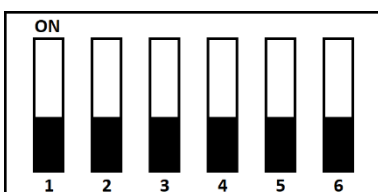
**Stand-alone Device Mode;** Your device will work in stand-alone mode, without connecting to another.

The address keys 3-4-5-6 are set to ON. Keys 1-2 don't matter.



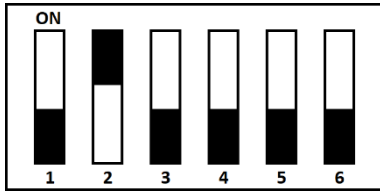
**Primary Device Mode;** It creates a wireless network which secondary devices with the same address can connect to and controls the devices connected to it.

The #1 key is set to ON. The desired address is set from the address keys # 3-4-5-6.



**Secondary Device - Reverse Mode;** It works in reverse to the primary device by connecting to the primary device with the same address. (E.g., Primary device blows air out while secondary device does the reverse and takes air in)

The #1 and #2 key is set to OFF. Address keys 3-4-5-6 are set to be the same as the primary device to be connected.



**Secondary Device - Parallel Mode;** It works in parallel with the primary device by connecting to the primary device with the same address. (E.g., Primary device blows air out while secondary device does the same and blows air out)

The #1 key is set to OFF and the #2 key set to ON. Address keys 3-4-5-6 are set to be the same as the primary device to be connected.

## Address List

<p><b>Adress 0</b></p> <p>(0000)</p>	<p><b>Adress 1</b></p> <p>(0001)</p>	<p><b>Adress 2</b></p> <p>(0010)</p>	<p><b>Adress 3</b></p> <p>(0011)</p>
<p><b>Adress 4</b></p> <p>(0100)</p>	<p><b>Adress 5</b></p> <p>(0101)</p>	<p><b>Adress 6</b></p> <p>(0110)</p>	<p><b>Adress 7</b></p> <p>(0111)</p>
<p><b>Adress 8</b></p> <p>(1000)</p>	<p><b>Adress 9</b></p> <p>(1001)</p>	<p><b>Adress 10</b></p> <p>(1010)</p>	<p><b>Adress 11</b></p> <p>(1011)</p>
<p><b>Adress 12</b></p> <p>(1100)</p>	<p><b>Adress 13</b></p> <p>(1101)</p>	<p><b>Adress 14</b></p> <p>(1110)</p>	<p><b>Stand-alone Mode</b></p> <p>(1111)</p>

## IR Remote

### On/Off Button:



When this button is pressed while the device is in the off position, the front cover will open and the fan will start to operate. When this button is pressed while the device is on, the front cover will be closed and the fan will stop.

### Air Flow Mode Buttons

- When the air flow control buttons are pressed, the device turns the air flow in the relevant direction.



**Supply mode:** The device will supply air from outside to inside continuously for 30 minutes. After 30 minutes, the device returns to the cycle mode. There is no heat recovery in this mode.



**Cycle mode:** It is the default operating mode of the device. The device will change the direction of the air flow every 70 seconds between supply mode and exhaust mode. This mode recovers heat through the ceramic heat exchanger inside the device.



**Exhaust mode:** The device will exhaust air from inside to outside continuously for 30 minutes. After 30 minutes, the device returns to the loop mode. There is no heat recovery in this mode.

### Fan Speed buttons

- When the fan speed control buttons are pressed, the device adjusts the fan speed to the relevant level.



**Night Mode**

15m<sup>3</sup>/h



**Speed I**

30m<sup>3</sup>/h



**Speed II**

45m<sup>3</sup>/h






**Speed III**

60m<sup>3</sup>/h

- When the night mode button is pressed, the device not only switches to the lowest fan speed, but also closes the front cover a little more than its normal opening in order to reduce the noise levels further.

### Humidity Level buttons

- When the humidity level buttons are pressed, the device adjusts the set humidity value to the relevant level.

		
<b>Level I</b>	<b>Level II</b>	<b>Level III</b>
40%	60%	80%

- Thanks to the humidity sensor on the device, it constantly controls the relative humidity level in the environment. If the humidity level in the environment is above the determined level, the device switches to shot mode for moisture evacuation. When the humidity level in the environment falls below the specified level, the device continues to operate normally.
- Long press the Level III button, the device turns off the automatic humidity mode. Regardless of the humidity level, the device will not switch to the humidity evacuation mode.